

# VIBCO HIGH FREQUENCY ADJUSTABLE SPEED



- Rugged, High Speed
- Ideal for All Concrete Work
- Speed Adjustable
- US Model, 115-Volt Plug-In
- DC Model, 12 Volt Battery

**VIBCO'S MODEL US** High Frequency line are 115 volt single phase motors with low amperage draw. They can be plugged into any light outlet or operated from field generators. All units are speed adjustable with rheostat or electronic speed controls. US-900 and 1600 have adjustable eccentrics. The US line is, due to the high frequency, rated for intermittent operation. 230 volt available on most models. Consult factory.

**VIBCO'S MODEL DC** 12 Volt Battery operated units are ideal for field and mobile opera-

tions. They clean and aid flow of material from bins and chutes, and insure fast dumping of trucks, highway equipment, fertilizer trailers, ready mix trucks, spreaders and concrete pumps. 24 volt DC available, consult factory.

DC-20, -50 & -100 are available in steel, plastic, and aluminum housings. Accessory wiring kits are available for DC units (excluding DC-3500 and DC-5000 which come with their own kits). They contain necessary wires, switches and terminals for proper installation of your vibrator.

*Right: VIBCO Adjustable electric vibrators solve a wide variety problems - speeding the flow of bulk materials through any size bin, hopper or chute - packing material in drums and bags - consolidating concrete - and in this case a DC-60 SandBlaster™ keeps salt and sand moving for roadway safety in freezing winter conditions.*



## Technical Data

Model	Weight		Force		Electric Motor Specs.			Max. Speed VPM	Sound dB*	Cycle Duty Cycle
	lbs.	kg.	lbs.	Newtons	Amperage	Volts**	Phase			
US-100	7.0	3.2	100	445	2.0 / 1.0	115/230 AC-DC	1	10,000	78	Int.
US-450T	12.5	5.7	450	2,000	3.0 / 1.5	115/230 AC-DC	1	9,000	80	Int.
US-700	14.5	6.6	700	3,115	3.5 / 1.8	115/230 AC-DC	1	8,000	80	Int.
US-900	22.0	10.0	900	4,005	4.5 / 2.3	115/230 AC-DC	1	10,000	85	Int.
US-1600	26.0	11.8	1,600	7,120	5 / 2.5	115/230 AC-DC	1	9,000	85	Int.
US-1600AL	18.0	8.1	1,600	7,120	5 / 2.5	115/230 AC-DC	1	9,000	85	Int.
DC-20	3.5	1.6	20	90	3.0 / 1.5	12/24 DC	—	4,000	68	Cont.
DC-50	3.5	1.6	50	225	3.0 / 1.5	12/24 DC	—	4,000	71	Cont.
DC-60	4.2	1.9	60	265	3.0 / 1.5	12/24 DC	—	4,000	68	Cont.
DC-100	4.0	0.8	100	445	12 / 6.0	12/24 DC	—	4,000	72	Cont.
DC-200	12.1	5.5	300	1,335	14 / 7	12/24 DC	—	4,000	73	Cont.
DC-300	13.0	5.9	350	1,555	16 / 8	12/24 DC	—	4,000	74	Cont.
DC-450T	12.5	5.7	400	1,780	22 / 11	12/24 DC	—	7,000	75	Int.
DC-450CD	12.5	5.7	400	1,780	16/8	12/24 DC	—	4,000	74	Cont.
DC-500	14.7	6.7	450	2,005	16 / 8	12/24 DC	—	4,000	73	Cont.
DC-700	14.5	6.6	700	3,115	25 / 13	12/24 DC	—	6,000	75	Int.
DC-900	22.0	10.0	600	2,670	30 / 15	12/24 DC	—	6,000	78	Special
DC-1600	26.0	11.8	1,000	4,450	32 / 16	12/24 DC	—	5,000	82	Special
DC-3500	34.7	15.7	3,500	15,570	60 / 60	12/24 DC	—	4,000	70	Special
DC-5000	40.0	18.1	5,000	22,240	70 / 70	12/24 DC	—	4,000	72	Special

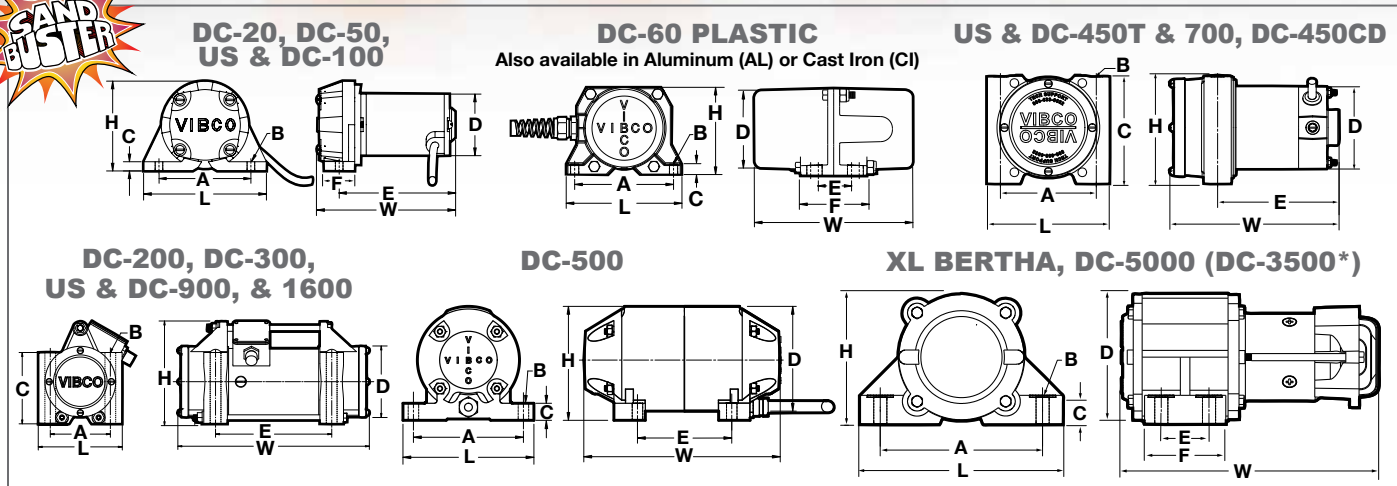
\* Decibel from A scale at 1 meter

\*\* AC-DC vibrators available in both 50 & 60 Cycles

NOTE: • Data obtained on laboratory test block • Data subject to design changes  
• Frequency & force will decrease on less rigid mount.

# MODEL US 115V AC AND DC 12V OR 24V ELECTRIC

ELECTRIC



\* See page 47 for DC-3500 Dimensional Drawing.

## Dimensions

Model	L		W		H		A		B*		C		D		E		F	
	in.	mm	in.	mm	in.	mm	in.	mm	in.	mm	in.	mm	in.	mm	in.	mm	in.	mm
US-100	6-1/16	154	7-1/8	1816	4-5/16	110	5	127	3/8	10	9/16	14	3-1/16	78	5-7/16	149	1-3/8	35
US-450T	4-7/8	124	8-1/4	210	4-3/16	106	3-1/2	89	5/8	16	11/16	17	3-3/4	95	3-7/8	98	—	—
US-700	5-5/8	143	7-3/4	197	4-9/16	116	4-1/2	114	1/2	12	1/2	13	5	127	5-1/8	130	—	—
US-900	4-15/16	125	9-3/4	248	6-1/8	156	3-1/2	89	1/2	12	1/2	13	4	102	6-3/4	171	—	—
US-1600	5-5/8	143	11-1/8	283	6-1/4	159	4-9/16	116	1/2	12	5-9/16	181	4-9/16	116	6-15/16	176	—	—
US-1600AL	5-5/8	143	11-1/8	283	6-1/4	159	4-9/16	116	1/2	12	5-9/16	181	4-9/16	116	6-15/16	176	—	—
DC-20	4-15/16	125	5-5/8	143	3-13/16	97	4	102	3/8	10	11/16	17	2-1/2	64	4-3/4	121	1	25
DC-50	4-15/16	125	5-5/8	143	3-9/32	83	3-5/8	92	3/8	10	11/16	17	2-1/2	64	4-3/4	121	1	25
DC-60	5	127	6-1/16	154	3-9/32	83	3-5/8	92	1/4	6	1/2	13	3	76	1-11/16	43	4	102
DC-100	6-13/16	173	6-1/16	154	4-1/4	108	5	127	3/8	10	1/2	13	3-7/16	87	5-3/4	146	1-3/8	35
DC-200	4-1/16	103	8-5/8	219	4-5/8	117	3	76	5/16	8	5-9/16	141	3-5/8	92	5-5/8	143	—	—
DC-300	4-1/16	103	9	229	5-1/16	129	3	76	5/16	8	5-3/4	146	3-1/2	89	5-13/16	148	—	—
DC-450T	4-7/8	124	8-1/4	210	4-3/16	106	3-1/2	89	1/2	12	3-15/16	100	3-3/4	95	6-1/2	165	—	—
DC-450CD	4-7/8	124	9	229	4-3/16	106	3-1/2	89	1/2	12	3-15/16	100	3-3/4	95	7-1/4	184	—	—
DC-500	6-1/4	159	8-7/8	225	5-5/8	143	5-1/4	133	7/16	11	1-1/16	27	4-5/8	117	4-9/16	116	—	—
DC-700	5-5/8	143	7-3/4	197	4-9/16	116	4-1/2	114	1/2	12	5	127	5	127	5-11/16	144	—	—
DC-900	4-15/16	125	9-3/4	248	6-1/8	156	3-1/2	89	5/8	16	6-3/4	171	4	102	6-3/4	171	—	—
DC-1600	5-5/8	143	11-1/8	283	6-1/4	159	4-9/16	116	1/2	12	7-1/8	181	4-9/16	116	6-15/16	176	—	—
DC-3500	10-1/8	157	11-1/2	292	9-1/16	230	8-1/2	216	3/4	20	1-5/16	33	6-1/4	159	—	—	2-7/8	73
DC-5000	10-1/8	157	13	330	7-1/8	180	8	203	5/8	16	1-7/8	48	6-1/2	165	2	51	3-3/8	86

\* Max. mounting bolt diameter      NOTE: Material, Dimensions & Data subject to change without notice • Dimensions ±1/16" • Engineered dimensional drawings available on request