

COMPANY _____
 CONTACT NAME _____
 ADDRESS _____

 PHONE _____ FAX _____
 EMAIL _____

BULK BODIES

Body Construction: Steel Stainless Steel Aluminum Other (specify) _____

Dimensions: Yardage: _____ Length: _____ Width: _____ Height: _____

Discharge Dimensions:

Length: _____

Width: _____

or

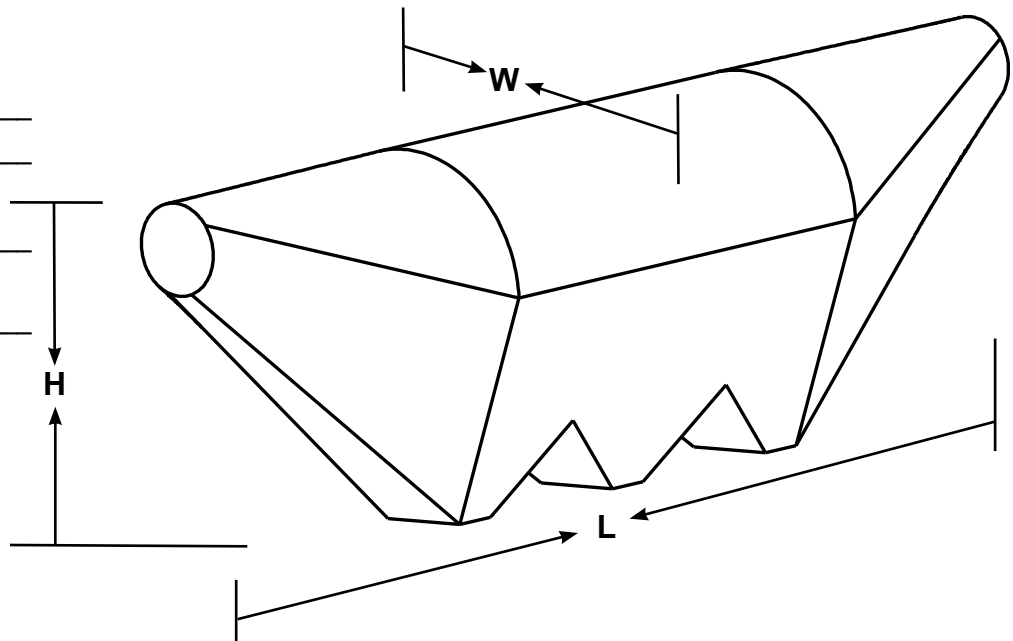
Diameter: _____

Number of Hoppers: _____

Pneumatic Discharge

Shape of Bulk Trailer:



PLEASE INCLUDE

engineering drawings & digital picture(s) of application & email them to **vibrators@vibco.com**.

Or please include dimensions & notes regarding your application/problems on this form and fax it to **401-539-2584**.

MATERIAL BEING HAULED *

Type of Material: _____

Moisture & Texture: dry damp wet sticky fine coarse

Weight per cubic foot: _____ lbs

Dumping Problem: sticking to sides sticking to hopper walls OTHER: _____

POWER AVAILABLE - preferred *

AIR Volume: _____ CFM Pressure at vibrators (not at compressor): _____ PSI

Air Supply Location: Remote On Truck Other (specify) _____

ELECTRIC 12 Volt: _____ 24 Volt: _____

HYDRAULIC PSI: _____ GPM: _____

CLEAR

SUBMIT