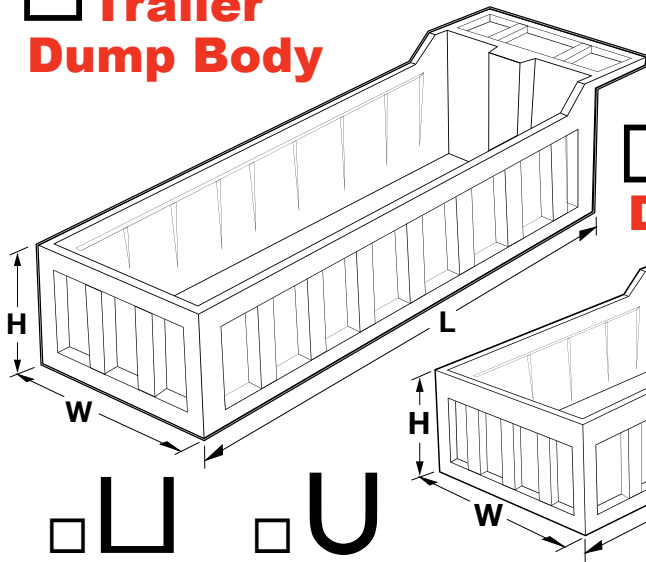


COMPANY \_\_\_\_\_  
 CONTACT NAME \_\_\_\_\_  
 ADDRESS \_\_\_\_\_  
 \_\_\_\_\_  
 PHONE \_\_\_\_\_ FAX \_\_\_\_\_  
 EMAIL \_\_\_\_\_

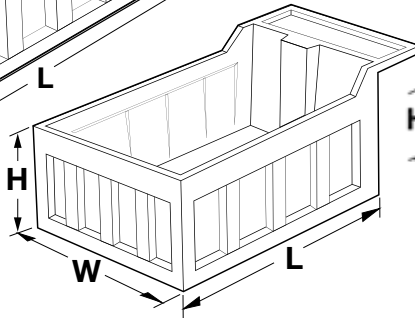
## DUMP BODIES

**Body Material:**  Steel  Stainless Steel  Aluminum  Other (specify) \_\_\_\_\_  
**Dimensions:** Yardage: \_\_\_\_\_ Length: \_\_\_\_\_ Width: \_\_\_\_\_ Height: \_\_\_\_\_

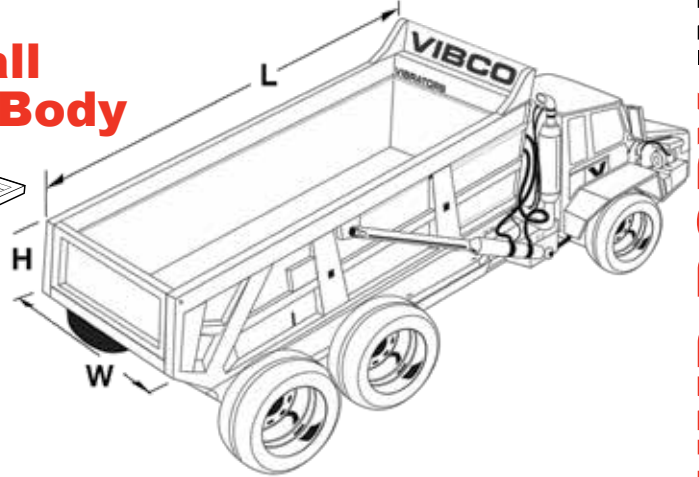
**Trailer Dump Body**



**Small Dump Body**



**Articulated Dump Body**



Lined  Unlined  Framed  Frameless  Heated  Non-Heated

### PLEASE INCLUDE

engineering drawings & digital picture(s) of application & email them to **vibrators@vibco.com**.  
 Or please include dimensions & notes regarding your application/problems on this form  
 and fax it to **905-828-5015**.

## MATERIAL BEING HAULED

**Type of Material:** \_\_\_\_\_  
**Moisture & Texture:**  dry  damp  wet  sticky  dirt/soil  aggregate  
**Weight per cubic foot:** \_\_\_\_\_ lbs  
**Dumping Problem:**  sticking to sides  sticking to front of body **OTHER:** \_\_\_\_\_

## POWER AVAILABLE - preferred

**AIR** Volume: \_\_\_\_\_ CFM Pressure at vibrators (not at compressor): PSI \_\_\_\_\_  
 **ELECTRIC** 12 Volt: \_\_\_\_\_ 24 Volt: \_\_\_\_\_  
 **HYDRAULIC** PSI: \_\_\_\_\_ GPM: \_\_\_\_\_

**CLEAR**

**SUBMIT**